

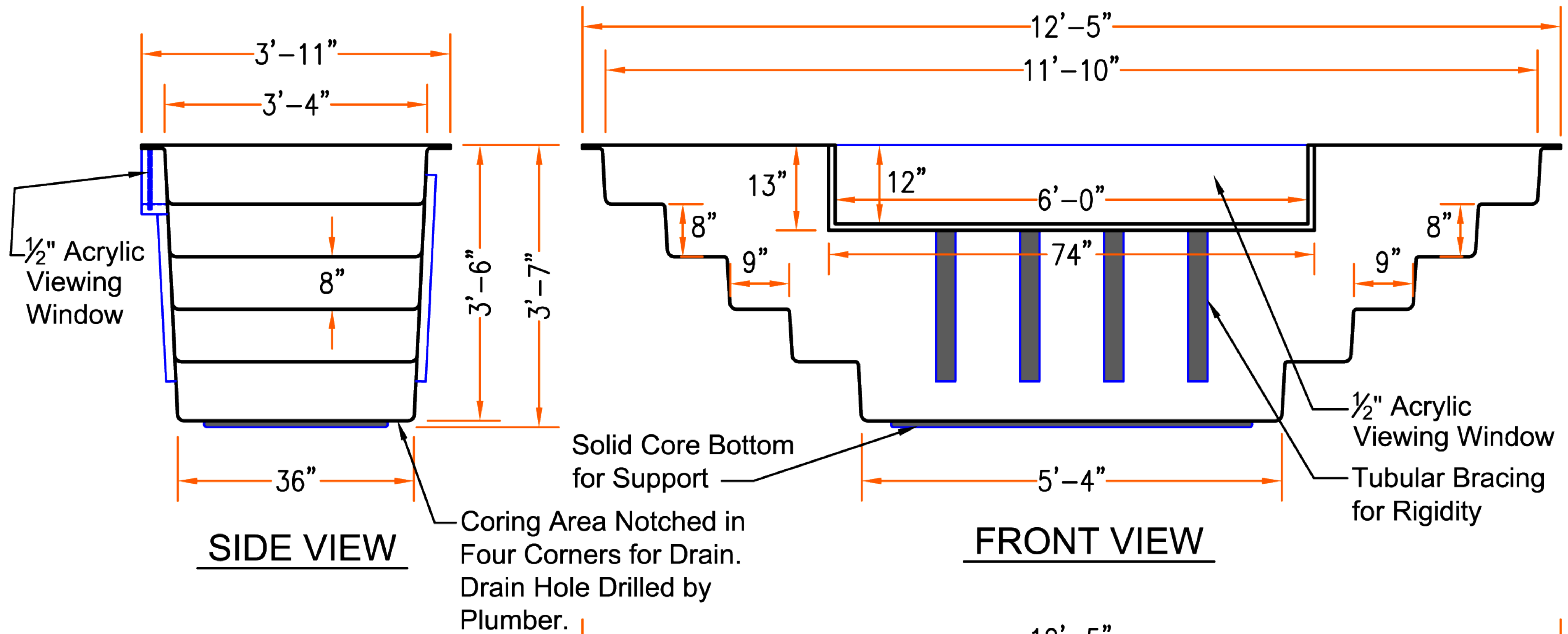
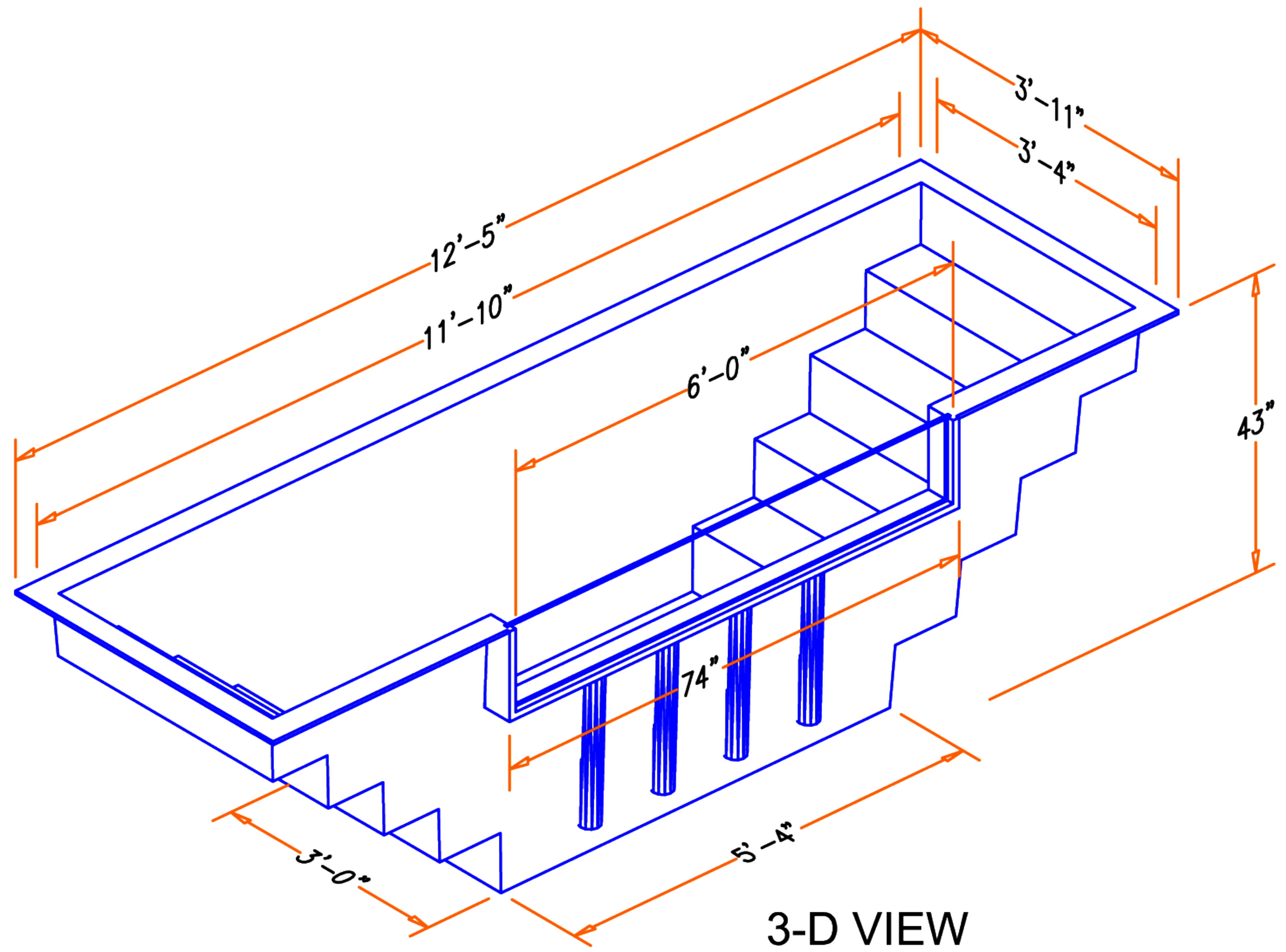
**Baptistry Info.**

Width: 3'-11"  
 Length: 12'-5"  
 Depth: 43"  
 Water Capacity: 550 gal.  
 Unit Weight: 280 lb. Dry  
 Recommended Heater:  
 PBH 10 kw / 750 EZ fill  
 Available In Blue, White or Bone

\*\*\*Window is Optional\*\*\*

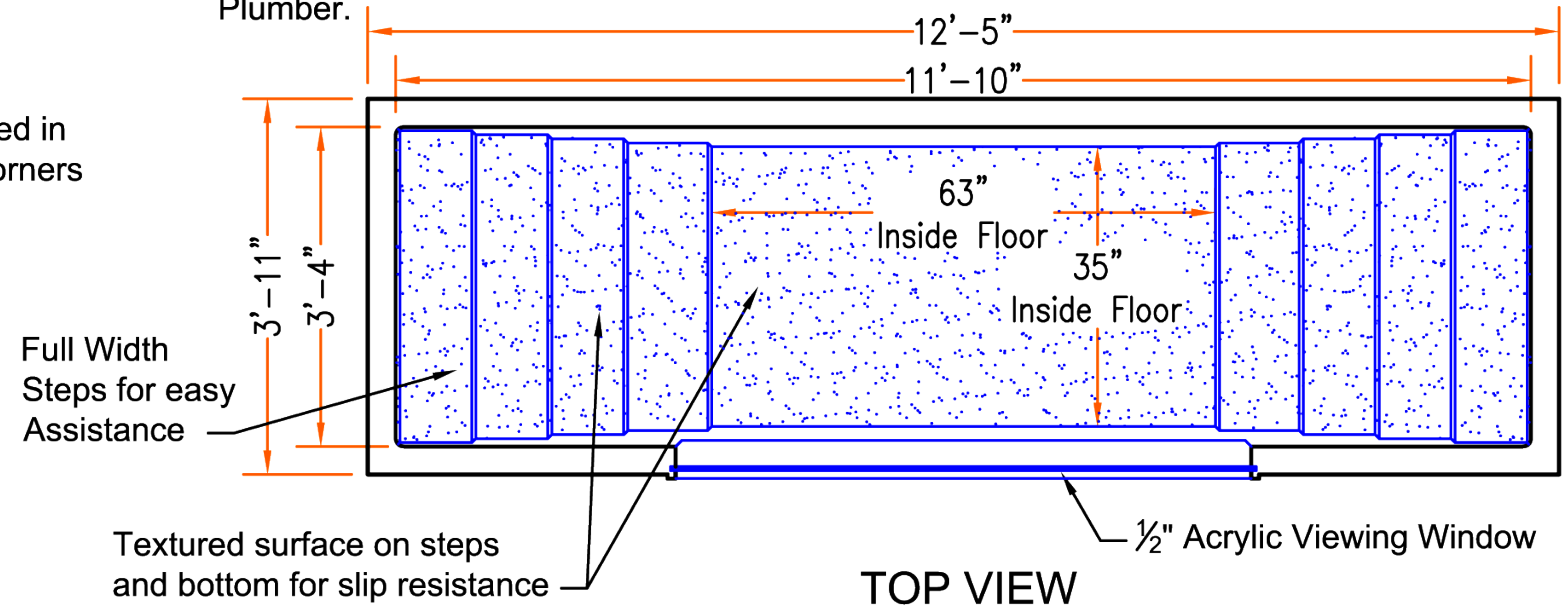
**Note:**

All interior corners are rounded for safety.



Coring Area Notched in Four Corners for Drain. Drain Hole Drilled by Plumber.

Drains can be Located in Either of the Four Corners



Dimensions may change slightly to accommodate manufacturing.