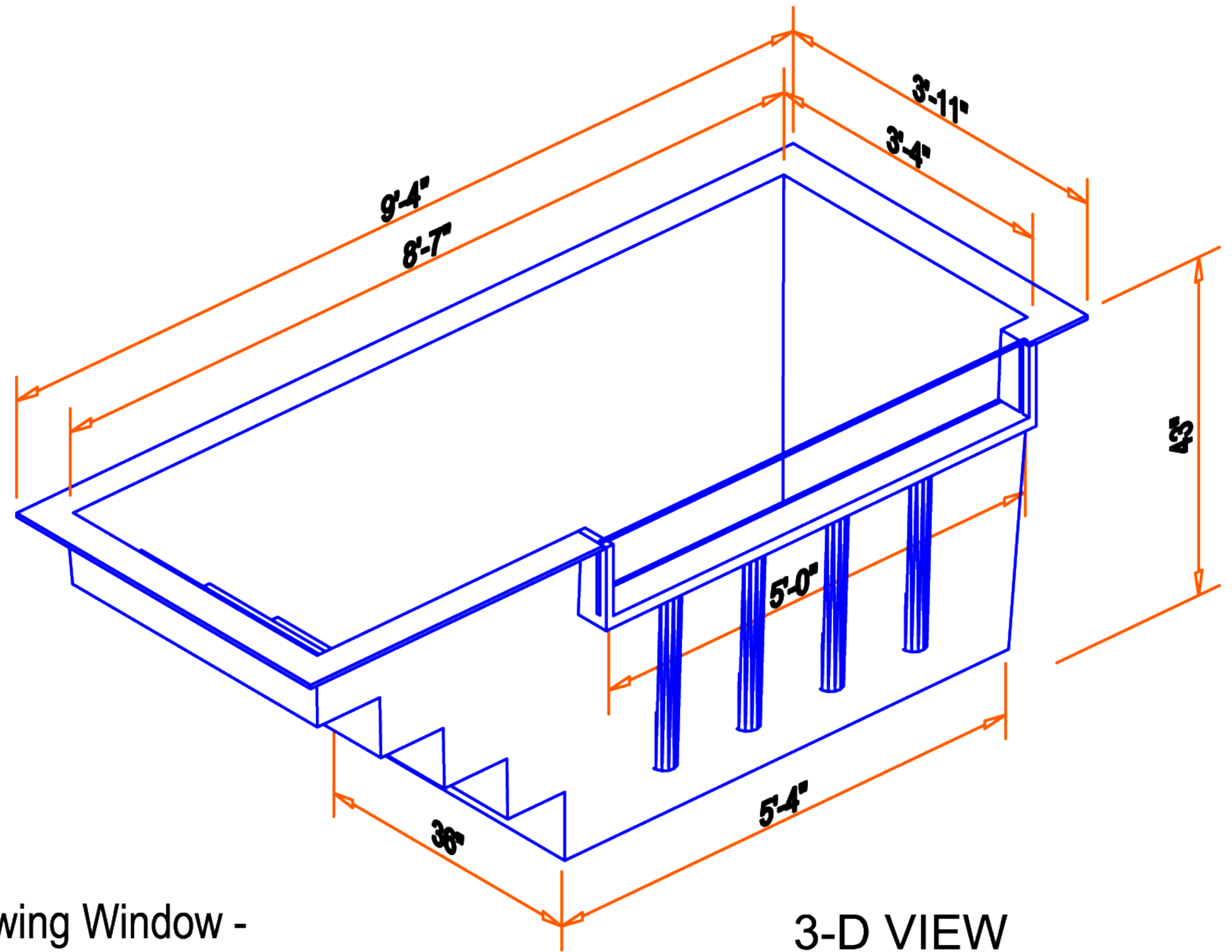


**Baptistry Info.**

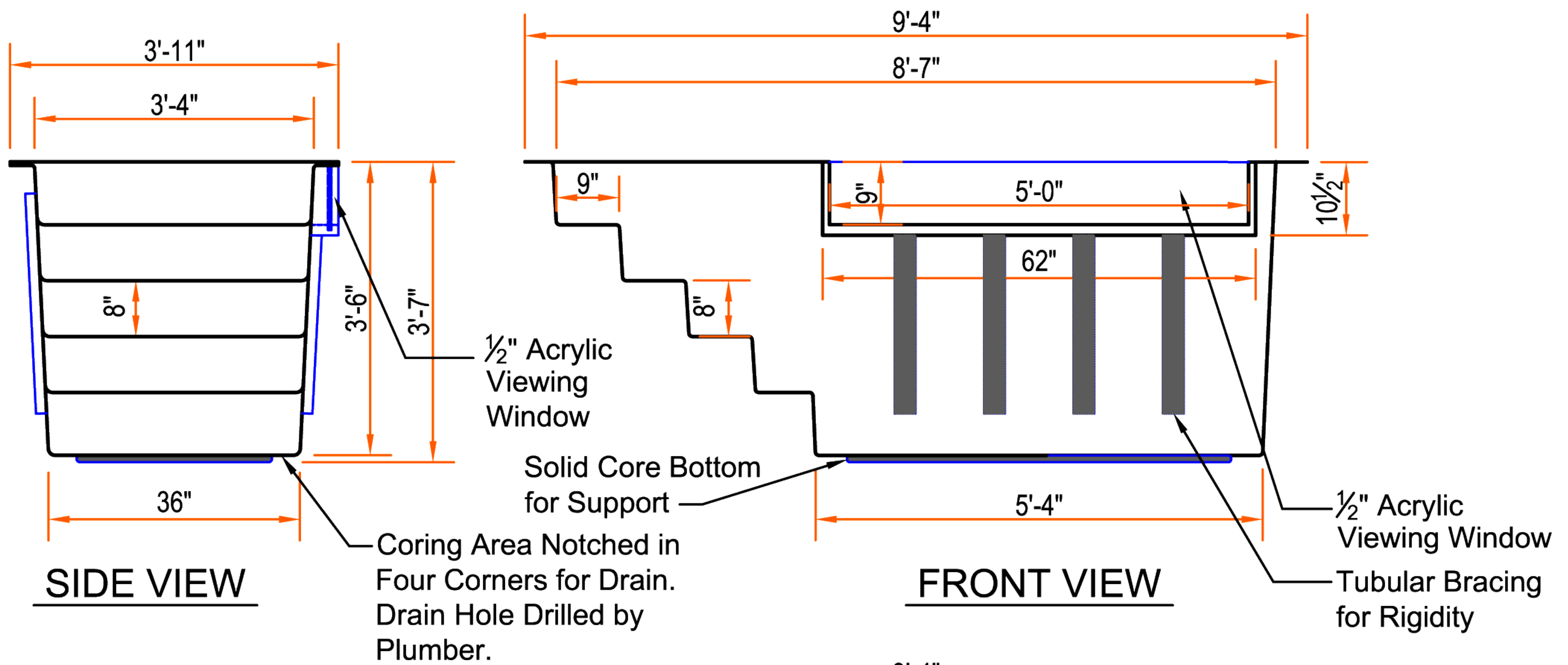
Width: 3'-11"  
 Length: 9'-4"  
 Depth: 43"  
 Water Capacity: 475 gal.  
 Unit Weight: 240 lb. Dry  
 Recommended Heater:  
 PEB-B 5.5 kw / Af 2900 / AD 2900  
 Available In Blue, White or Bone

**Note:**  
 All interior corners are rounded for safety.



Viewing Window -  
Left Entry

3-D VIEW



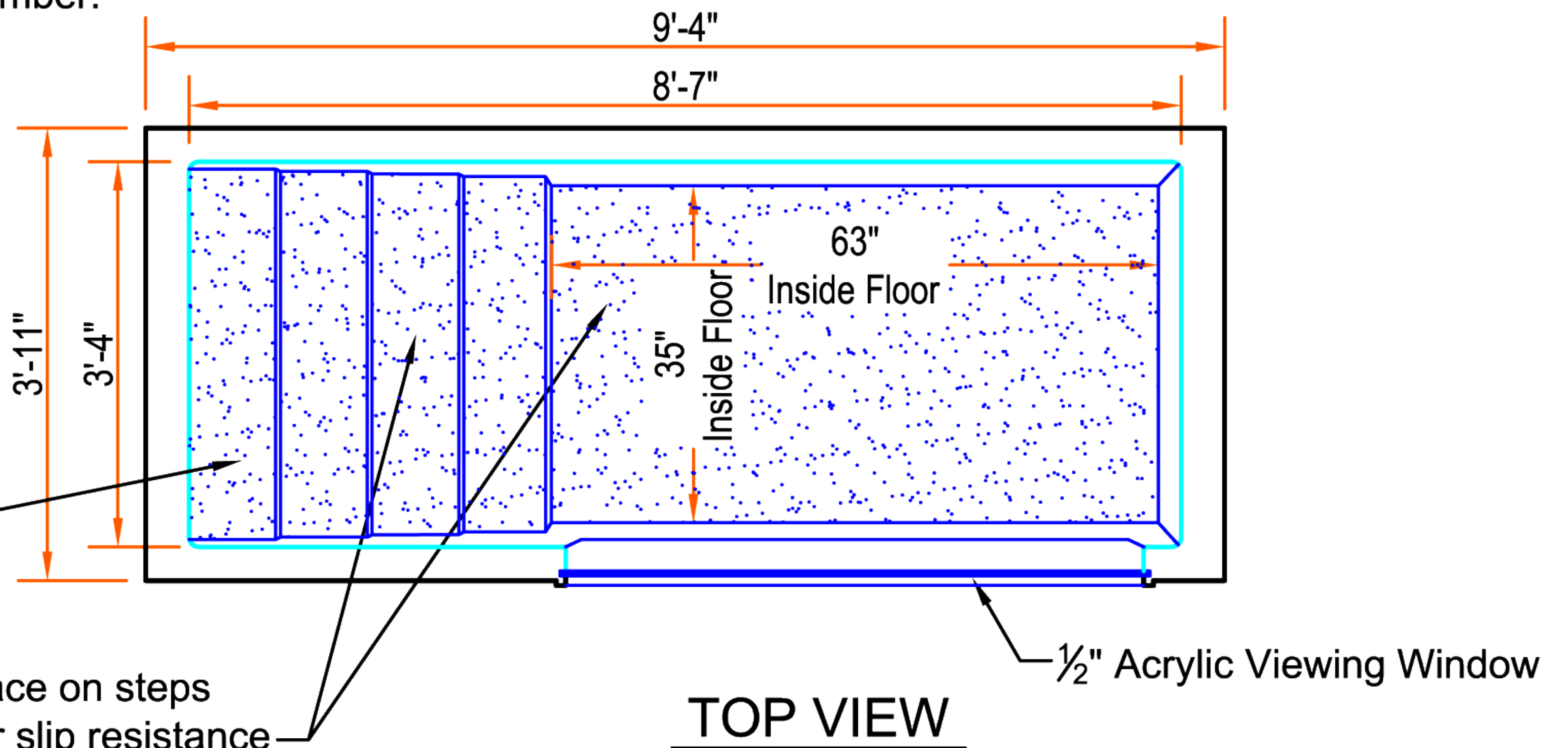
SIDE VIEW

FRONT VIEW

Drains can be Located in  
Either of the Four Corners

Full Width Steps for  
easy Assistance

Textured surface on steps  
and bottom for slip resistance



TOP VIEW

Dimensions may change slightly to accommodate manufacturing.