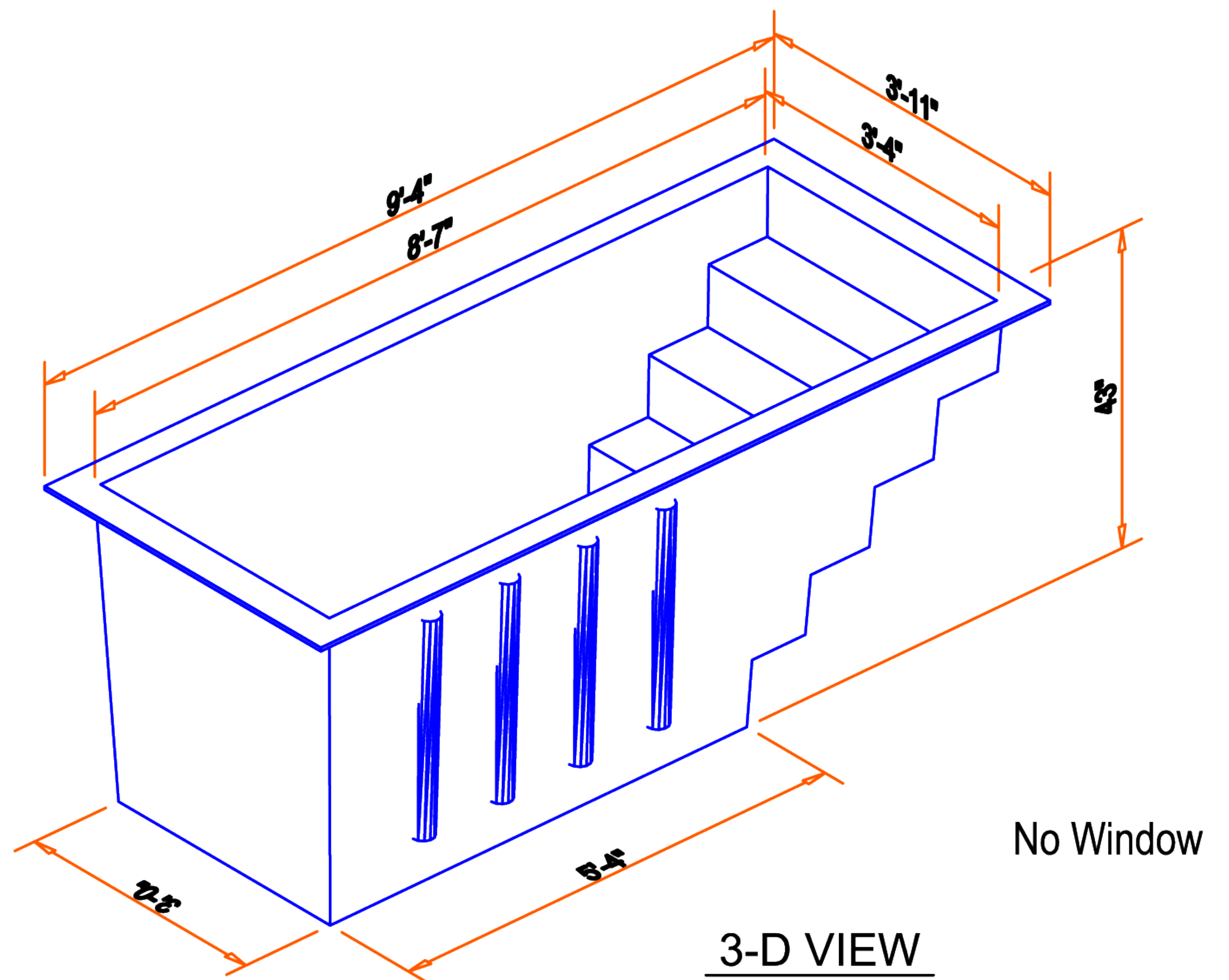


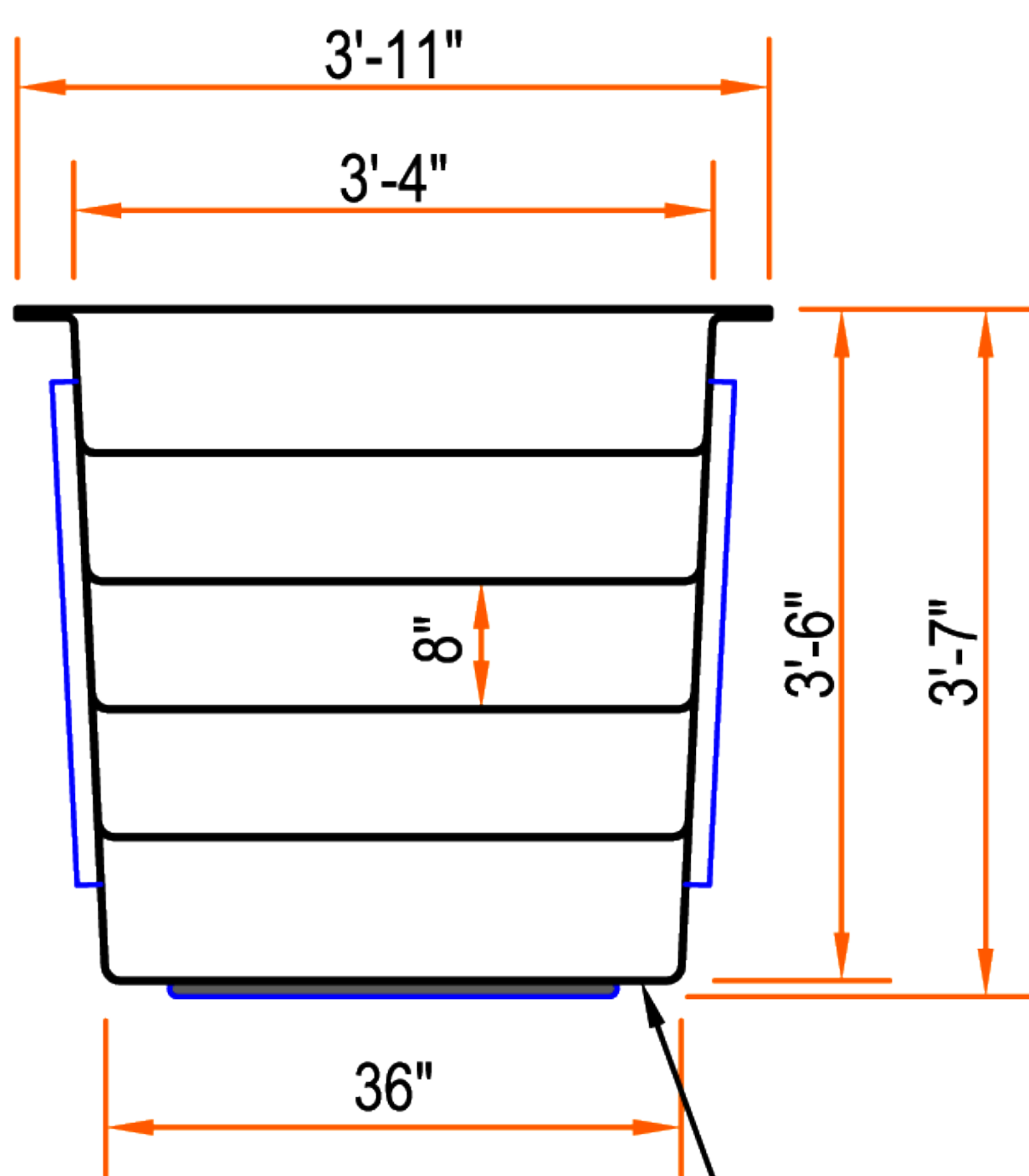
**Baptistry Info.**

Width: 3'-11"  
 Length: 9'-4"  
 Depth: 43"  
 Water Capacity: 475 gal.  
 Unit Weight: 240 lb. Dry  
 Recommended Heater:  
 PEB-B 5.5 kw / Af 2900 / AD 2900  
 Available In Blue, White or Bone

**Note:**  
 All interior corners are rounded for safety.

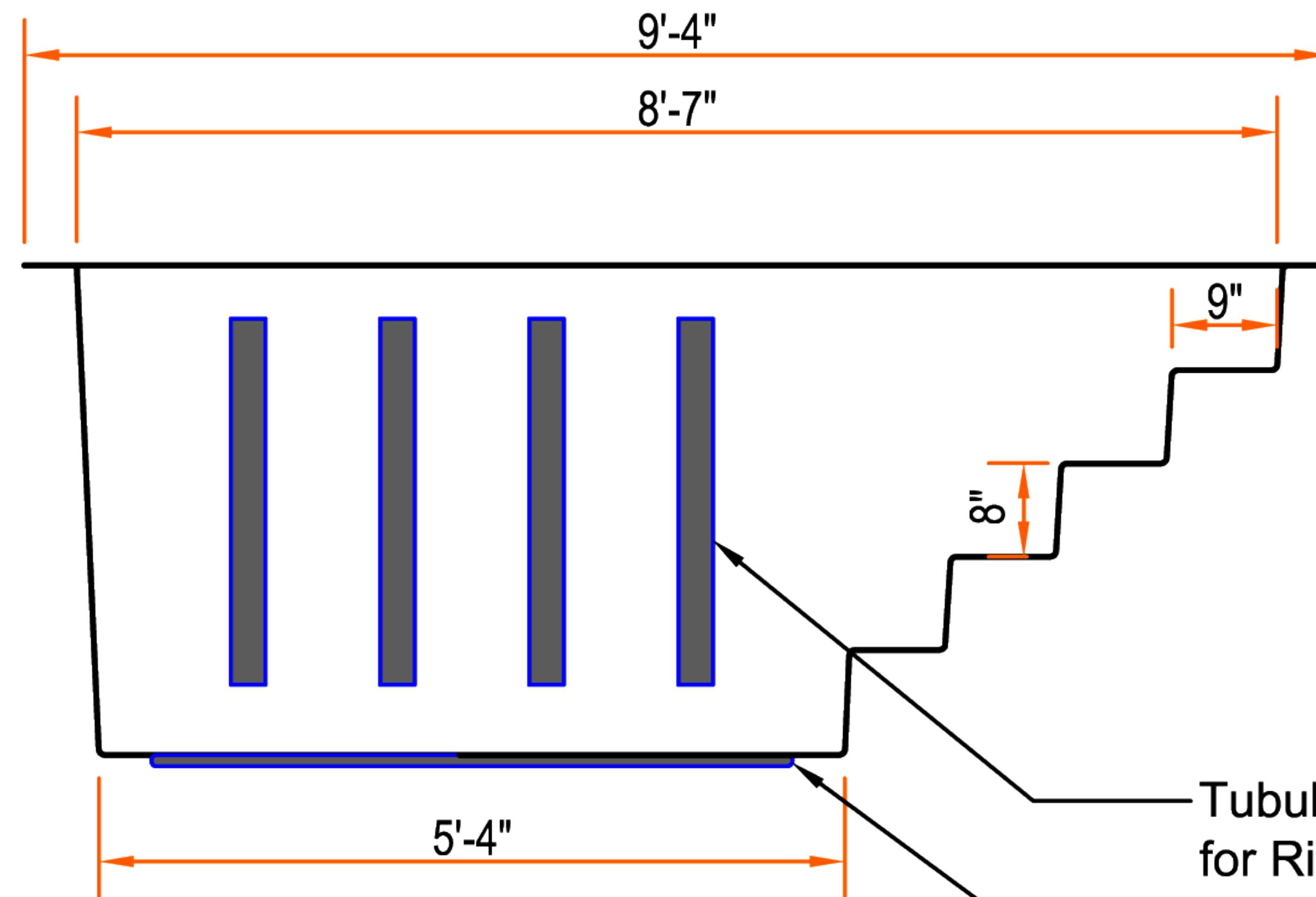


**3-D VIEW**



**SIDE VIEW**

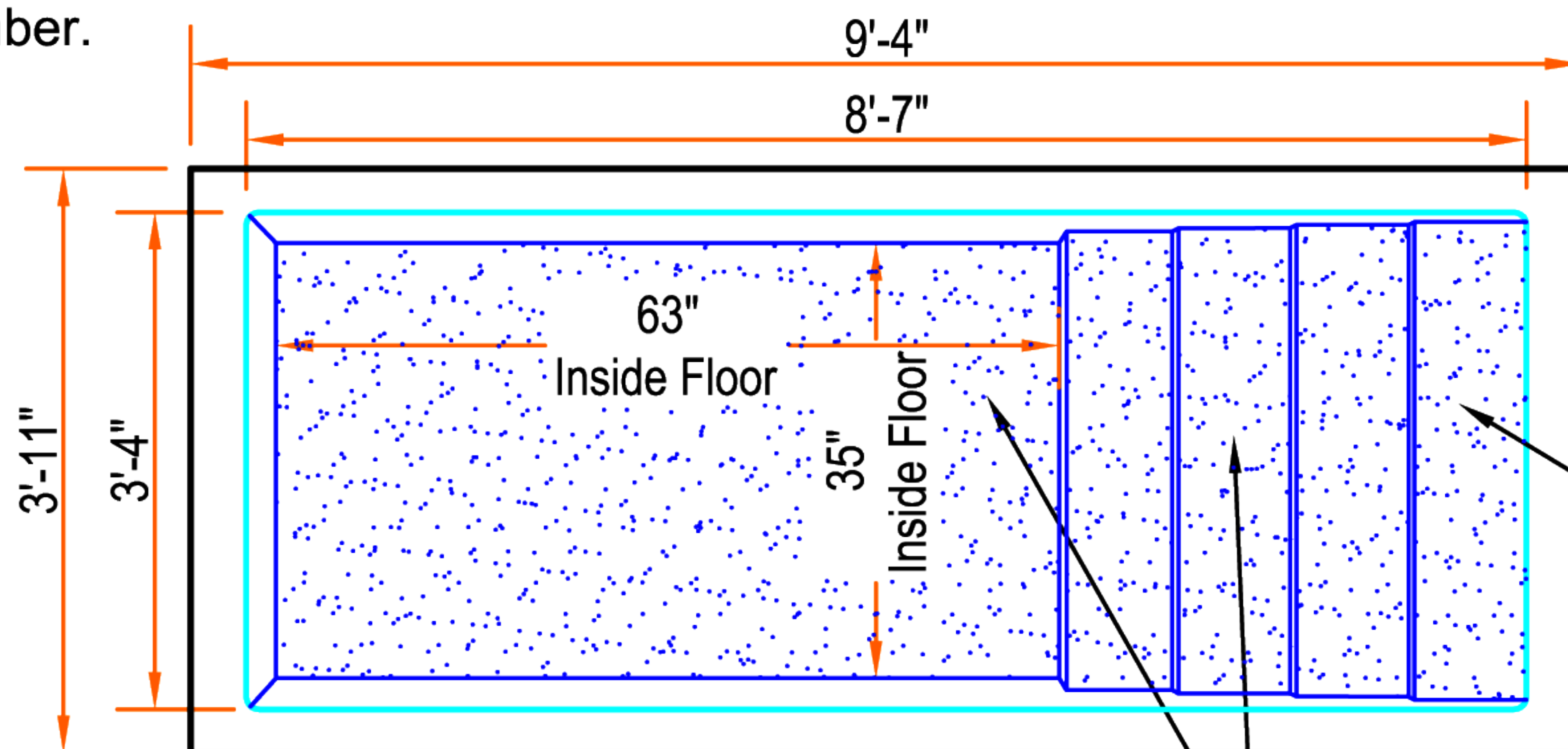
Coring Area Notched in Four Corners for Drain. Drain Hole Drilled by Plumber.



**FRONT VIEW**

Tubular Bracing for Rigidity  
 Solid Core Bottom for Support

Drains can be Located in Either of the Four Corners



**TOP VIEW**

Full Width Steps for easy Assistance  
 Textured surface on steps and bottom for slip resistance

Dimensions may change slightly to accommodate manufacturing.