

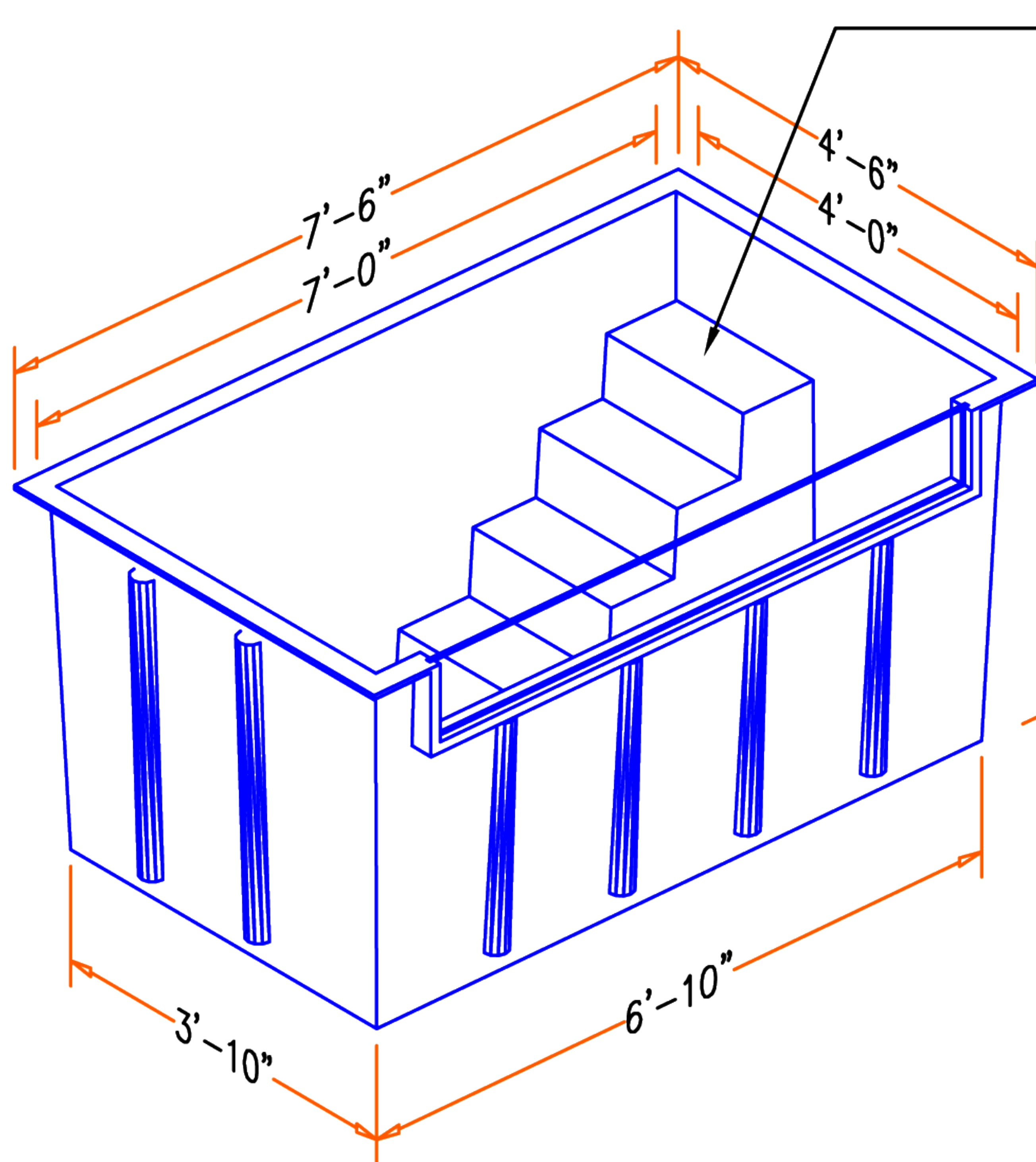
Baptistry Info.

Width: 4'-6"
 Length: 7'-6"
 Depth: 3'-6" inside
 Water Capacity: 675 gal.
 Unit Weight: 310 lb. Dry
 Recommended Heater:
 PBH 5.5 kw / EZ Fill 750 / Drain & overflow

Available In Blue, White or Bone

Window is Optional

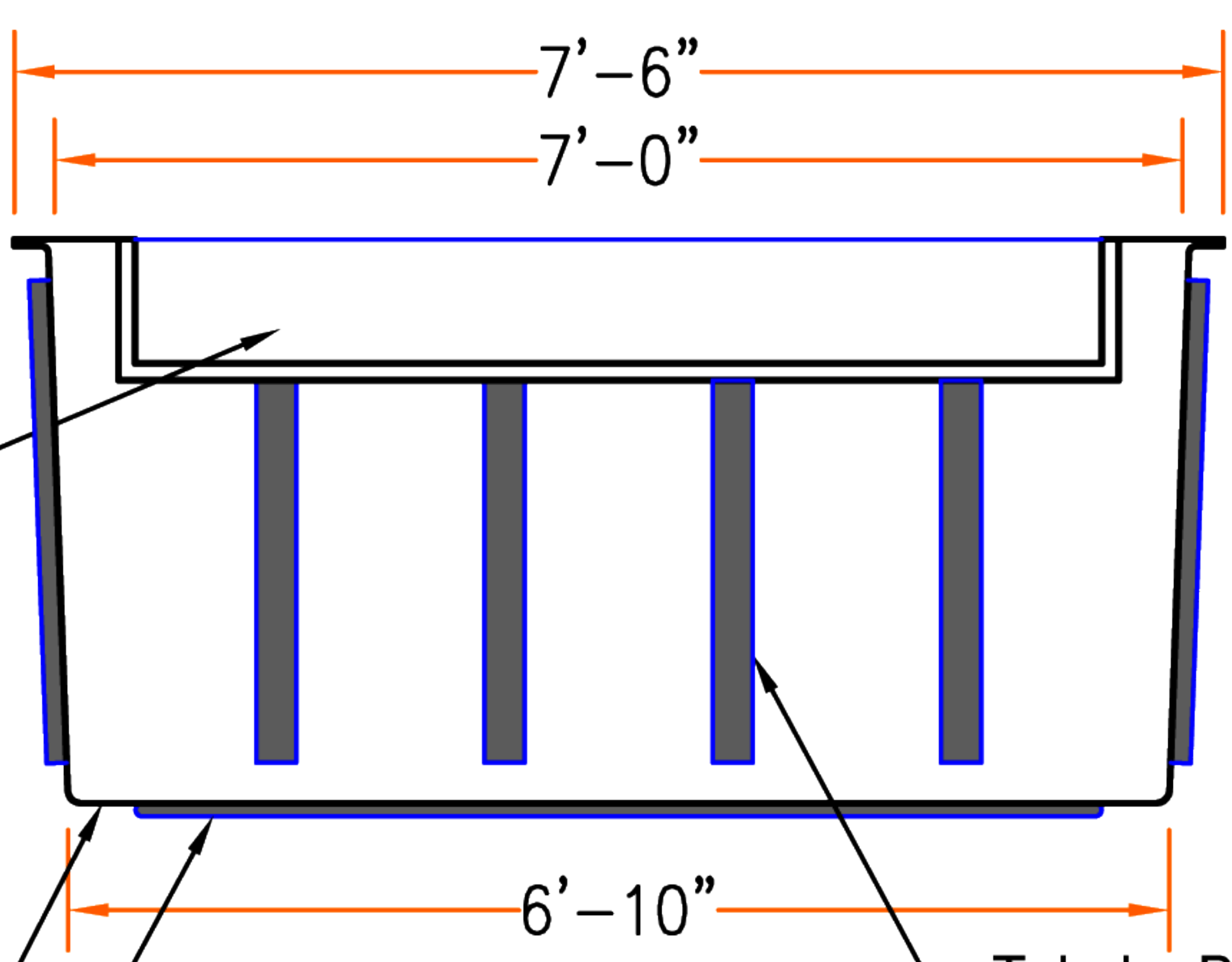
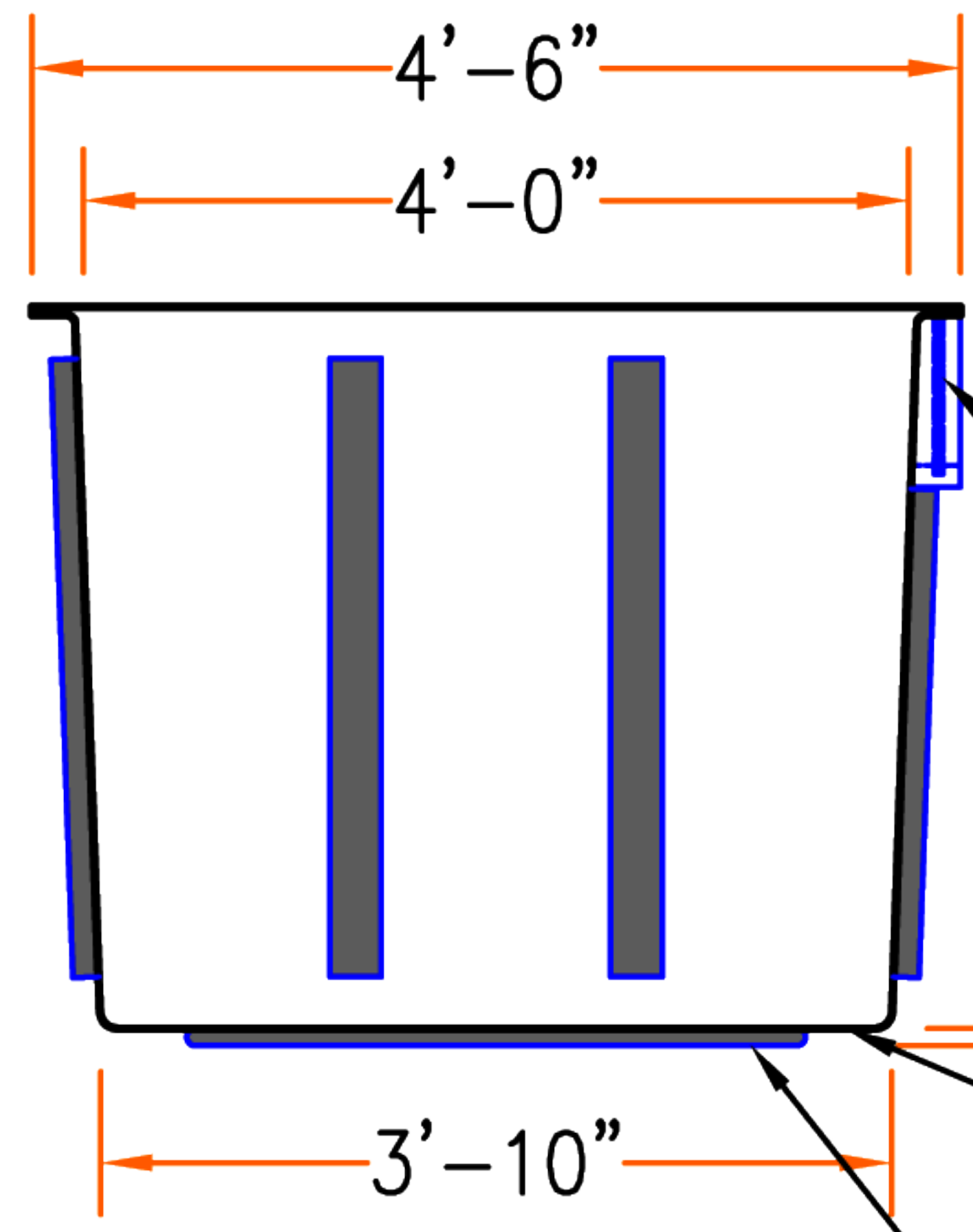
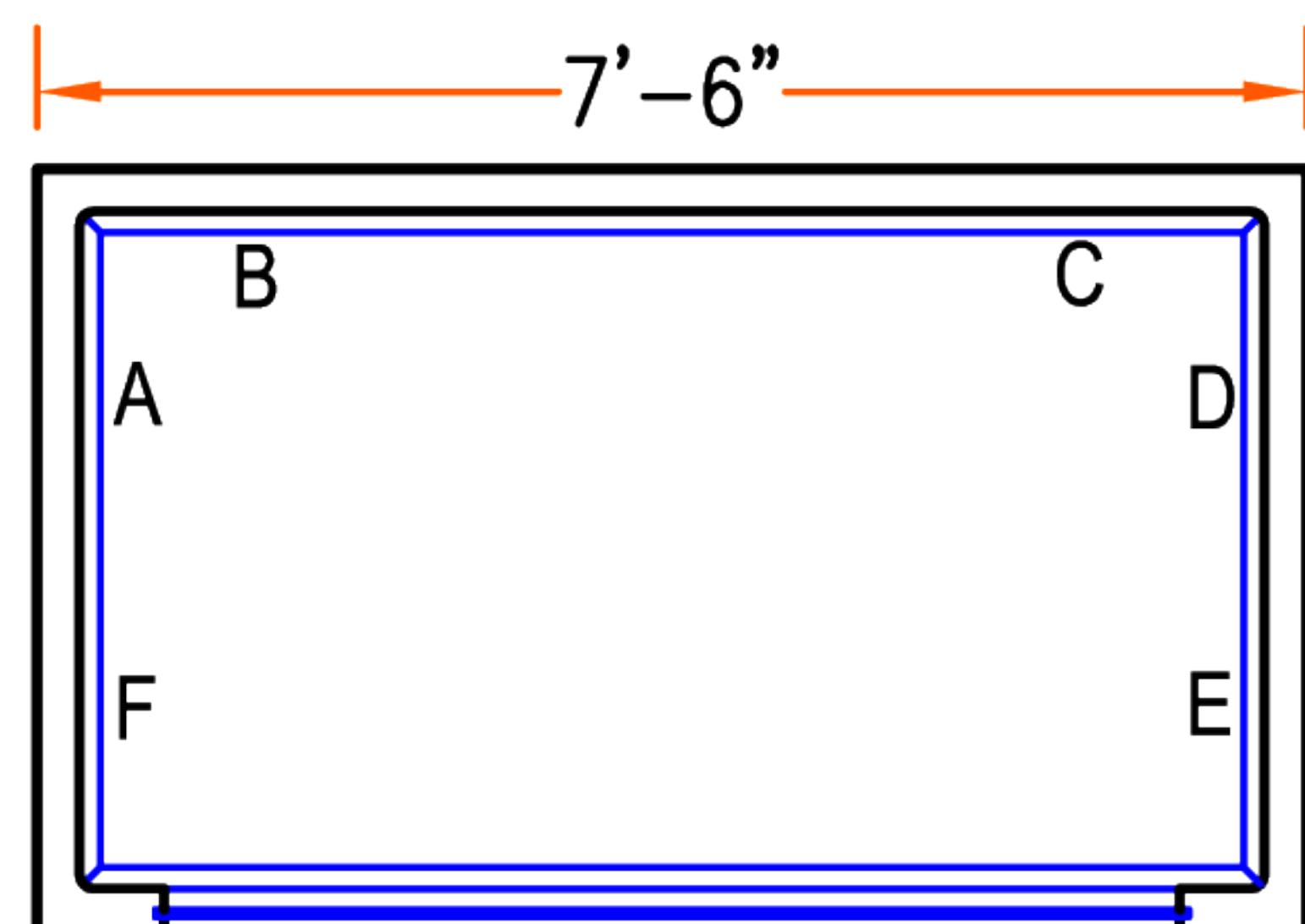
Note:
 All interior corners are rounded for safety.



Steps can be Located to your specification. Specify At Time of ordering. Right Rear Side Entry Shown.

Common Step Locations:

- A Left Rear Side Entry
- B Left Rear Back Entry
- C Right Rear Back Entry
- D Right Rear Side Entry
- E Right Front Side Entry
- F Left Front Side Entry



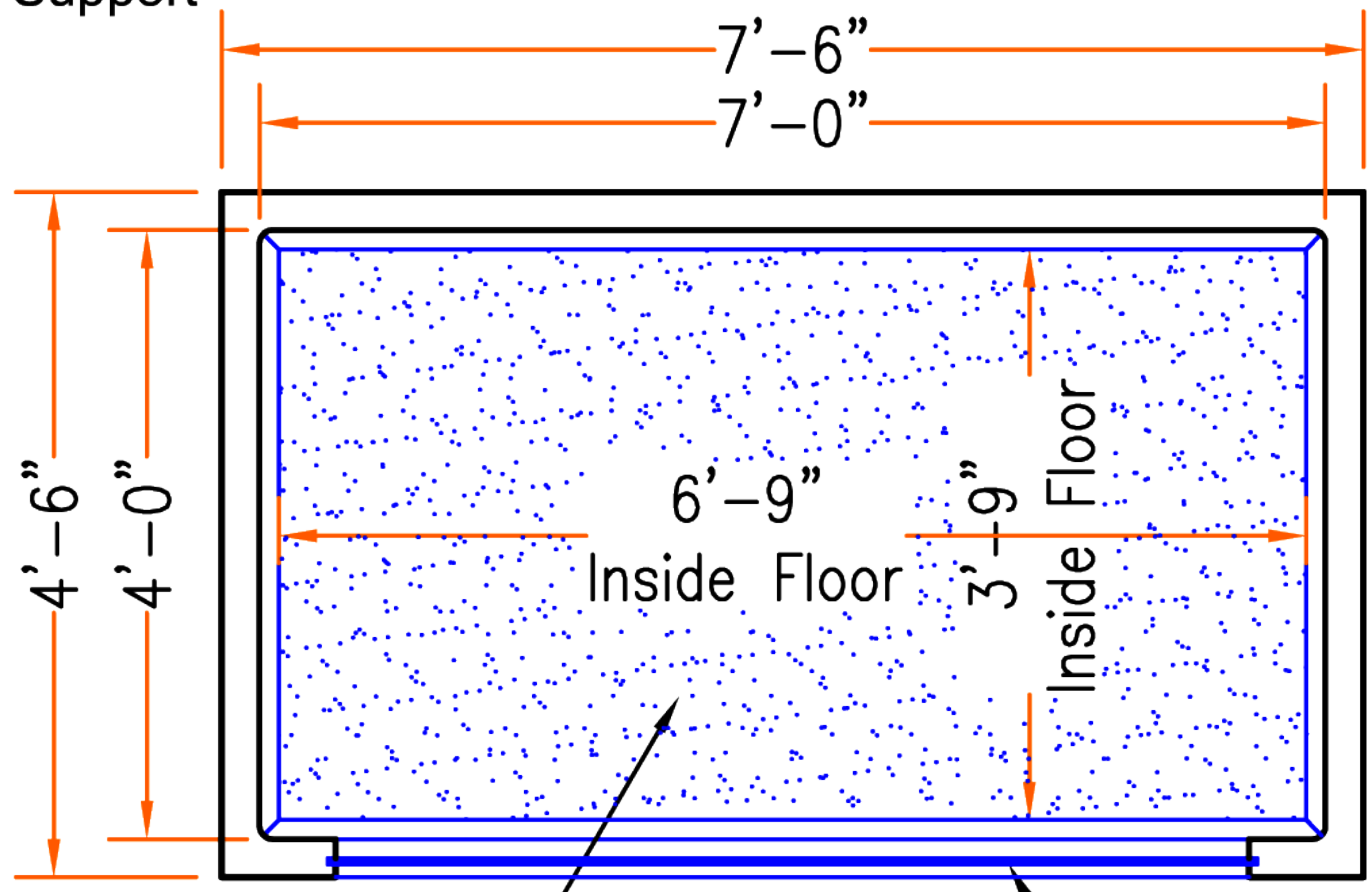
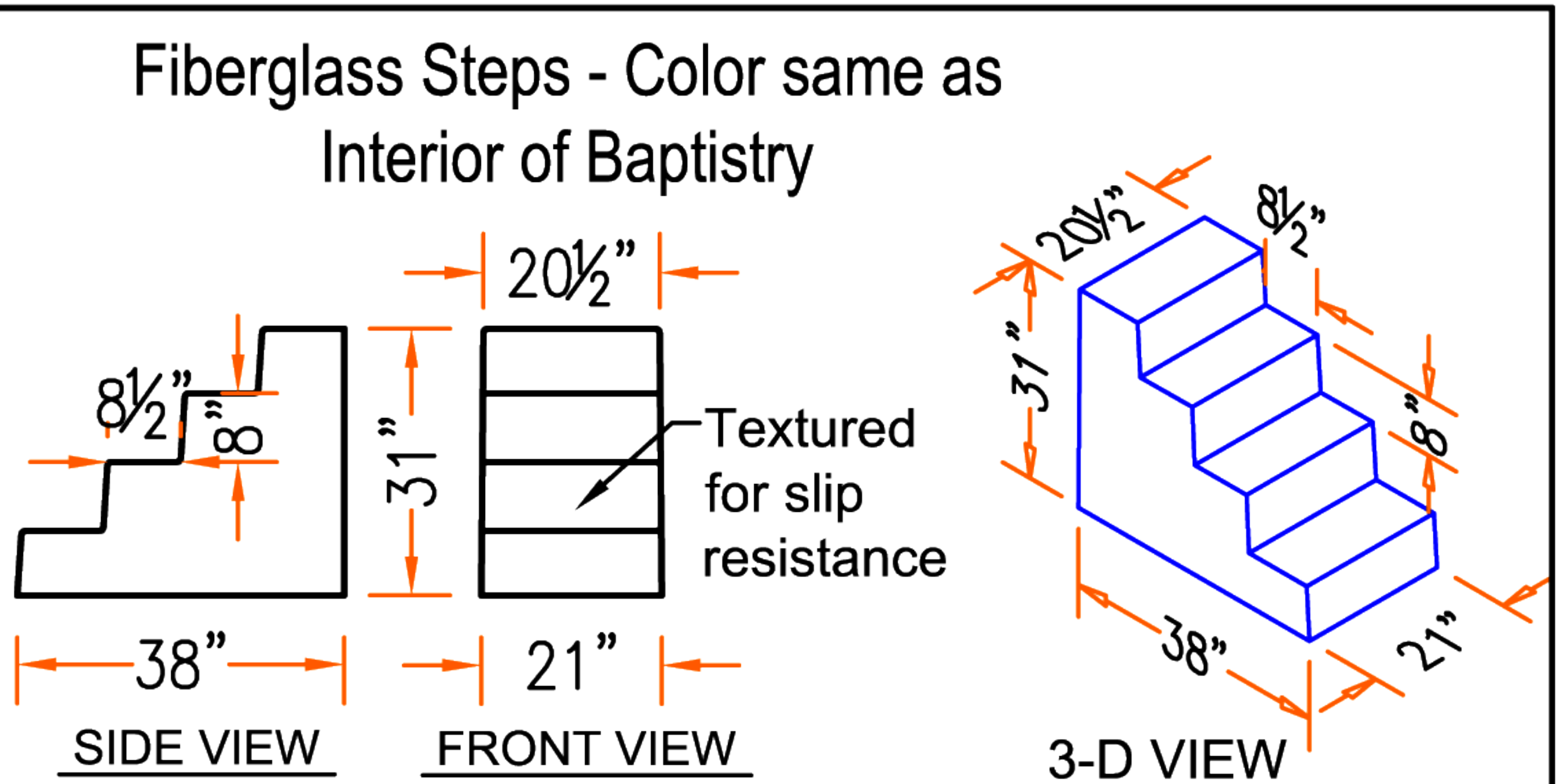
1/2" Acrylic Viewing Window

Coring Area Notched in Four Corners for Drain. Drain Hole Drilled by Plumber.

Solid Core Bottom for Support

Tubular Bracing for Rigidity

Drains can be Located in Either of the Four Corners



Textured surface for slip resistance

Dimensions may change slightly to accommodate manufacturing.